



Rathi Cone-Flex couplings consist of the sets of resilient "Cone-Flex" rings with pins & nuts, and two flanged hubs of graded cast iron. These "Cone-Flex" rings are specially shaped to permit the rubber to deflect in all directions and give over four times torsional flexibility as compared to a plain bush.



FEATURES :

UNMATCHED SIMPLICITY :

Easy to assemble & disassemble. With pins removed, the equipment can run independently for no load. Flanged hub can be withdrawn upwards without disturbing original alignment.

NO LUBRICATION :

"Cone-Flex" couplings do not require lubrication of any kind whatsoever.

SIZE AND COST :

High torque capacity for compact size and low weight.

SIMPLE / EASY MAINTENANCE :

No complicated mechanism to demand adjustment or maintenance. Inspection and replacement of "Cone-Flex" rings are easy and can be quickly fitted without dismantling or moving either of coupled shafts.

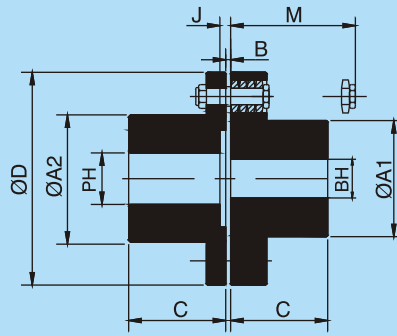
LOW OPERATIONAL COST :

Only wear part is low cost "Cone-Flex" rings make the coupling economical in long run.

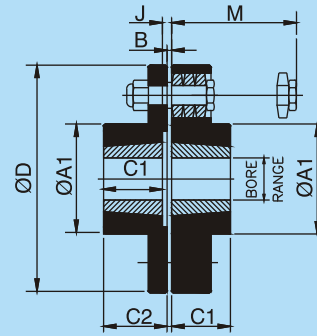
SMOOTH & QUIET OPERATION :

Reduces vibrations and noise arising from severe torque fluctuations.

"Cone-Flex" couplings are suitable in ambient temperature upto 70° C.



TYPE - RC



TYPE - RCT

TECHNICAL DATA

Type	Size	kW / 100 rpm	Torque Nm.	MAX Speed rpm	DIMENSIONS													Wt. in kg. (Min. Bore)		M.I. (WR ²) kg.m ² (Min. Bore)	
					RC			RCT		Ø D	Ø A1	Ø A2	C	RCT		Shaft Gap J	RC	RCT	RC	RCT	
					Min Bore	Max Bore		# Bore Range	Bush Size					C1	C2						M
						B.H.	P.H.														
RC	020	0.56	50	6500	12	20	28	—	—	89	35	44	33	—	—	73	6	1.8	—	0.002	—
	030	1.2	110	4600	12	30	38	—	—	127	51	66	41	—	—	88	6	3.5	—	0.007	—
	038	2.0	190	4400	15	38	42	—	—	132	64	72	48	—	—	88	6	4.9	—	0.009	—
RC/ RCT	042	3.0	290	4000	15	42	48	1215	12 - 32	146	70	82	56	38	41	88	6	6.3	5.5	0.013	0.013
	048	5.0	480	3400	21	48	55	1615	14 - 42	171	82	94	61	38	41	114	6	10.4	9.0	0.034	0.032
	058	8.0	760	3000	21	58	65	2017	14 - 50	193	97	110	68	45	47	114	6	14.2	13.0	0.055	0.053
	070	11.0	1000	2700	21	70	75	2525	16 - 60	216	117	130	76	64	68	114	6	19.8	18.1	0.092	0.088
	075	27.0	2600	2300	28	75	80	2525	16 - 60	254	127	142	88	64	68	179	6	36.9	35.2	0.269	0.265
	085	37.0	3500	2090	28	85	90	3030	24 - 75	279	147	160	100	76	80	179	7	48.5	44.1	0.408	0.39
	105	56.0	5300	1760	34	105	120	3535	35 - 90	330	180	210	117	89	93	179	6	76.4	72.1	0.832	0.773
	120	94.0	9000	1570	61	120	130	4040	40 - 100	370	206	225	132	102	106	244	10	121.0	108.0	1.811	1.718
RC	170	258.0	25000	1090	96	170	190	—	—	533	292	320	188	—	—	318	11	305.0	—	9.998	—
	190	360.0	34000	975	122	190	215	—	—	597	330	380	211	—	—	318	6	397.0	—	15.900	—
	215	467.0	45000	880	135	215	240	—	—	660	368	430	237	—	—	318	6	508.0	—	24.950	—

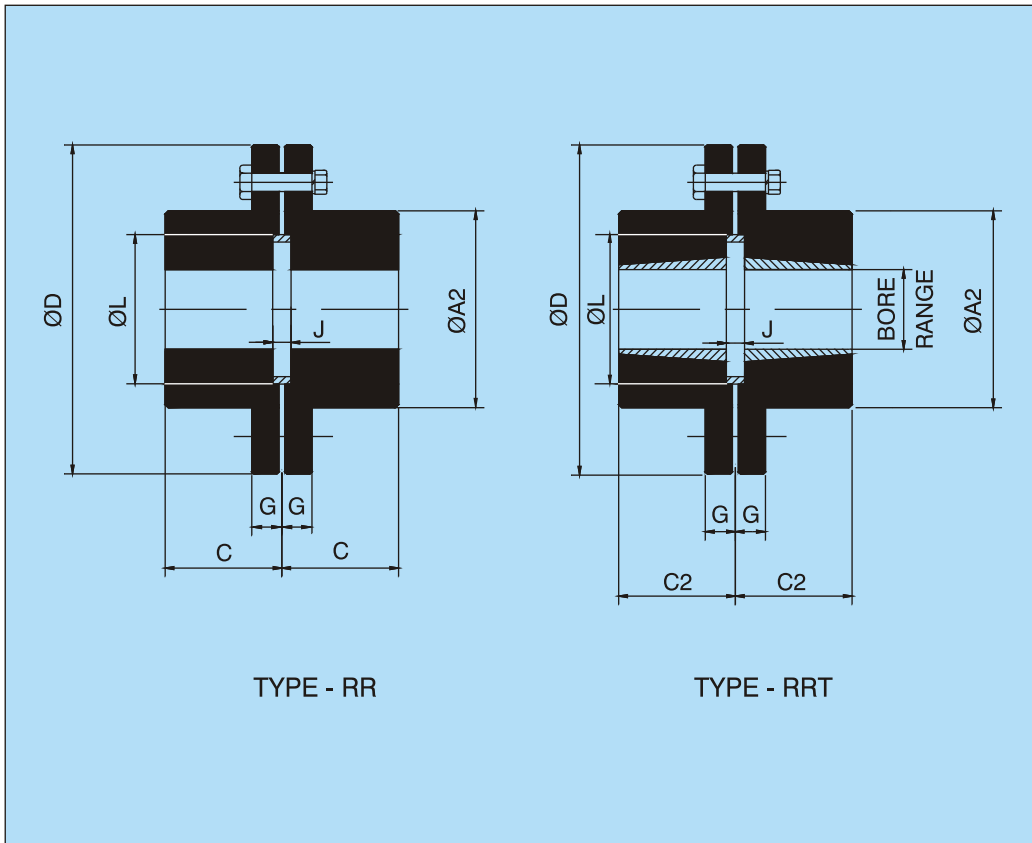
- Notes :
- Maintain gap B at the time of assembly
 - B = 3 mm for size 020 to 105
 - = 6 mm for size 120 to 215

- BH = BUSH HALF (DRIVEN)
- PH = PIN HALF (DRIVE)

For detail information about Taper Bush bore, please refer Taper Bush catalogue.

SPARE PARTS

Type RC			Type RCT				Pins and Nuts			Cone Rings	
Size	Pin Half Part No.	Bush Half Part No.	Size	Bush Size	Pin Half Part No.	Bush Half Part No.	Pin Part No.	Nut Size	No/per Coupling	Part No.	No/per Coupling
RC-020	RC - 020 / 1	RC-020 / 2	—	—	—	—	GC 3/4" / 3	M 8	6	GC 3/4" / 4	18
RC-030	RC - 030 / 1	RC- 030 / 2	—	—	—	—	GC 1" / 3	M 10	4	GC 1" / 4	12
RC-038	RC - 038 / 1	RC- 038 / 2	—	—	—	—	GC 1" / 3	M 10	6	GC 1" / 4	18
RC-042	RC - 042 / 1	RC -042 / 2	RCT-042	1215	RCT- 042 / 1	RCT- 042 / 2	GC 1" / 3	M 10	8	GC 1" / 4	24
RC-048	RC - 048 / 1	RC- 048 / 2	RCT-048	1615	RCT- 048 / 1	RCT - 048 / 2	GC 1 3/4" / 3	M 12	6	GC 1 3/4" / 4	18
RC-058	RC - 058 / 1	RC- 058 / 2	RCT- 058	2017	RCT- 058 / 1	RCT- 058 / 2	GC 1 3/4" / 3	M 12	8	GC 1 3/4" / 4	24
RC-070	RC - 070 / 1	RC- 070 / 2	RCT- 070	2525	RCT- 070 / 1	RCT- 070 / 2	GC 1 3/4" / 3	M 12	10	GC 1 3/4" / 4	30
RC-075	RC - 075 / 1	RC- 075 / 2	—	—	—	—	GC 2 3/4" / 3	M 20	8	GC 2 3/4" / 4	32
RC-085	RC - 085 / 1	RC- 085 / 2	RCT- 085	3030	RCT- 085 / 1	RCT- 085 / 2	GC 2 3/4" / 3	M 20	10	GC 2 3/4" / 4	40
RC-105	RC - 105 / 1	RC- 105 / 2	RCT- 105	3535	RCT- 105 / 1	RCT- 105 / 2	GC 2 3/4" / 3	M 20	12	GC 2 3/4" / 4	48
RC-120	RC - 120 / 1	RC- 120 / 2	RCT- 120	4040	RCT- 120 / 1	RCT- 120 / 2	GC 4 1/4" / 3	M 24	10	GC 4 1/4" / 4	40
RC-135	RC - 135 / 1	RC- 135 / 2	RCT- 135	4545	RCT- 135 / 1	RCT- 135 / 2	GC 4 1/4" / 3	M 24	12	GC 4 1/4" / 4	48
RC-150	RC - 150 / 1	RC- 150 / 2	RCT- 150	5050	RCT- 150 / 1	RCT- 150 / 2	GC 4 1/4" / 3	M 24	14	GC 4 1/4" / 4	56
RC-170	RC - 170 / 1	RC- 170 / 2	—	—	—	—	GC 6 1/4" / 3	M 36	10	GC 6 1/4" / 4	40
RC-190	RC - 190 / 1	RC- 190 / 2	—	—	—	—	GC 6 1/4" / 3	M 36	12	GC 6 1/4" / 4	48
RC-215	RC - 215 / 1	RC- 215 / 2	—	—	—	—	GC 6 1/4" / 3	M 36	14	GC 6 1/4" / 4	56

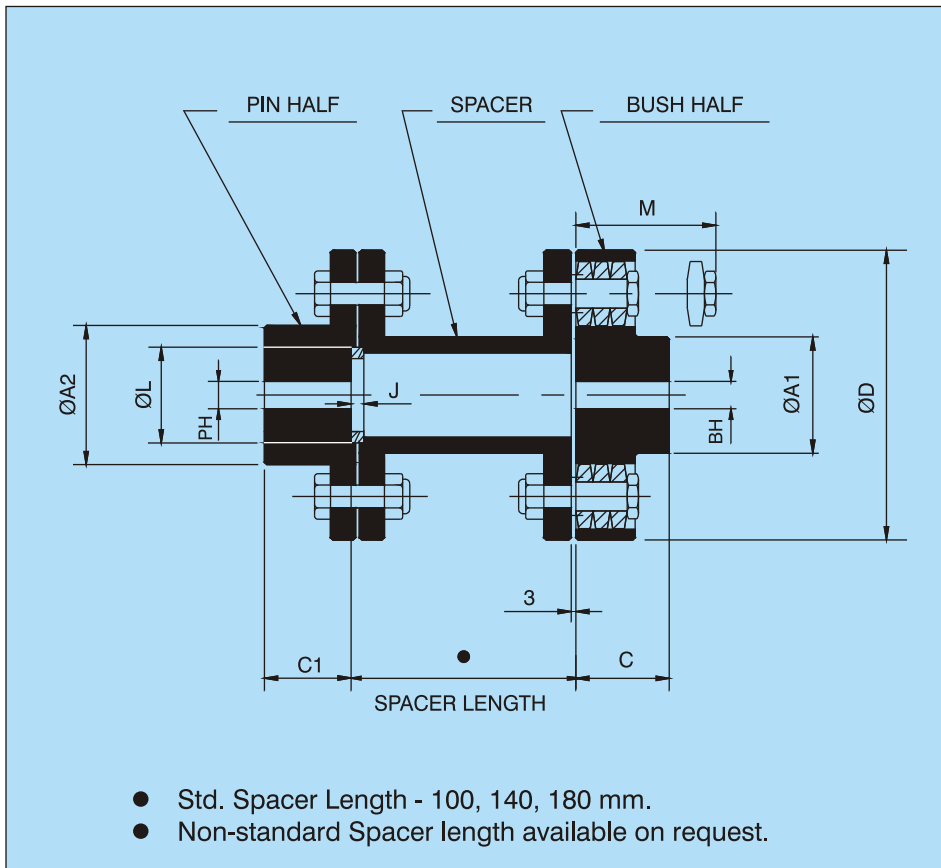


Rathi Rigid Couplings are robust, simple & ideal for exactly aligned shafts. They are torsionally stiff & backlashfree. Type RR permits larger finish bores in both halves.

TECHNICAL DATA

Type	Size	kW/ 100rpm	Torque Nm	Max Speed rpm	DIMENSIONS											Wt. in kg. (Min. Bore)		M.I. (WR ²) kg. m ² (Min. Bore)	
					RR		RRT		Ø D	Ø A2	C	C2	G	Ø L	J	RR	RRT	RR	RRT
					Min Bore	Max Bore	Bush Size	Bore Range #											
RR	020	1.06	100	6500	12	28	—	—	89	44	33	—	12	30	6	1.6	—	0.002	—
RR/ RRT	030	2.30	220	4600	12	38	1008	10-25	127	66	41	23	12	58	6	3.2	2.8	0.004	0.004
	038	4.80	455	4400	15	42	1108	10-28	132	72	48	23	12	58	6	4.1	3.6	0.006	0.006
	042	6.40	610	4000	15	48	1215	12-32	146	82	56	41	12	62	6	5.6	5.0	0.008	0.008
	048	9.63	920	3400	21	55	1615	14-42	171	94	61	41	17	80	6	9.3	8.3	0.024	0.023
	058	16.90	1610	3000	21	65	2017	14-50	193	110	68	47	17	86	6	12.0	10.7	0.04	0.038
	070	29.9	2855	2700	21	75	2525	16-60	216	130	76	68	17	110	6	18.0	16.0	0.07	0.067
	075	36.5	3485	2300	28	80	2525	16-60	254	142	88	68	30	110	6	32.0	30.0	0.18	0.177
	085	53.4	5100	2090	28	90	3030	24-75	279	160	100	80	30	128	8	44.0	39.3	0.28	0.26
	105	100.0	9550	1760	34	120	3535	35-90	330	210	117	93	30	160	6	69.0	61.0	0.59	0.56
	120	149.0	14225	1570	61	130	4040	40-100	370	225	132	106	46	186	8	109.0	97.0	1.42	1.36
135	213.0	20340	1390	67	150	4545	55-110	419	260	147	119	46	211	10	145.0	129.0	2.35	2.25	
150	292.0	27880	1280	82	170	5050	70-127	457	300	165	132	46	211	10	186.0	166.0	3.48	3.33	
RR	170	470.0	44750	1090	96	190	—	—	533	320	188	—	63	211	10	350.0	—	9.52	—
	190	575.0	54900	975	122	215	—	—	597	380	211	—	63	260	10	475.0	—	14.2	—
	215	750.0	71600	880	135	240	—	—	660	430	237	—	63	260	10	640.0	—	22.8	—

For detail information about Taper Bush bore, please refer Taper Bush catalogue.



Spacer Type "Cone-Flex" coupling is suitable where distance between shaft ends (DBSE) is large. The spacer member is radially removable without disturbing shaft alignment. Flexible element can be installed without disturbing the hub.

TECHNICAL DATA

Coupling Size	Torque Nm	kW at 100 rpm	Max. Speed rpm	Bore			Dimensions							
				Min.	Max.		Ø A2	Ø A1	C	C1	Ø D	J	Ø L	M
					PH	BH								
RCS - 020	50	0.56	6500	12	28	20	44	35	33	30	89	6	30	73
RCS - 030	110	1.2	4600	12	38	32	66	51	41	38	127	6	58	88
RCS - 038	190	2.0	4400	15	42	38	72	64	48	45	132	6	58	88
RCS - 042	290	3.0	4000	15	48	42	82	70	56	53	146	6	58	88
RCS - 048	480	5.0	3400	21	55	48	94	82	61	58	171	6	80	114
RCS - 058	760	8.0	3000	21	65	58	110	97	68	65	193	6	80	114
RCS - 070	1000	11.0	2700	21	75	70	130	117	76	73	216	6	110	114

● All dimensions are in mm unless otherwise specified.

In view of our constant endeavour to improve quality of our products, we reserve the right to alter or change specifications without prior notice. This document is the intellectual property of Rathi Transpower Pvt. Ltd. and subject to copyright.

	<p>Rathi Transpower Pvt Ltd Rathi Chambers, 7, Deccan College Road, Pune 411 006.(INDIA) Phone : 91-20-30517201 Fax : 91-20-30517212 E-mail : enquiry@rathigroup.com Website : www.rathicouplings.com</p>	<p>Distributor</p>
--	--	--------------------