

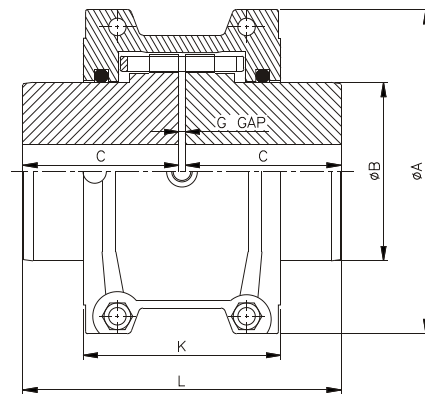
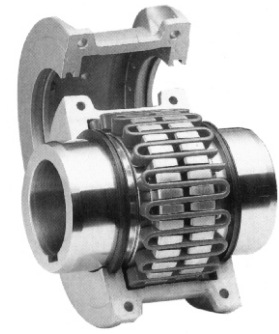
Features

- Torsionally Flexible.
- Vibration dampening - reduced peak / shock loads.
- Accommodates angular, parallel & axial misalignments.
- Low operating cost.
- Smooth & quiet operation.
- Low & easy maintenance.
- Overload conditions cause the grid element to shear, like a mechanical fuse.
- Quick & easy installation.

Applications

- Cement mills: Crushers and grinding machines.
- Steel mills: Coilers, cold mills, hot mills etc.
- Paper mills: Calendar, couch roll, suction roll, dryer drives etc.
- Sugar mills: Cane carrier and leveler, cane knife and crusher.
- General: Agitators, Blowers, conveyors, cranes etc.

RGTH Coupling



TECHNICAL DATA

Coupling Size	KW at 100 rpm	Basic Torque (Nm)	Max. Speed (rpm)	Bore Dia (mm)		Dimensions (mm)					Gap (mm)	Lube weight (Kg)	Weight In (kg)
				Min.	Max.	ØA	ØB	C	K	L			
1020	0.50	48	4500	13.0	30	101.5	39.7	47.5	66.5	98.0	3	0.03	1.9
1030	1.42	136	4500	13.0	36	110.0	49.2	47.5	68.0	98.0	3	0.03	2.6
1040	2.36	226	4500	13.0	44	117.5	57.1	51.0	70.0	104.5	3	0.05	3.4
1050	4.14	395	4500	13.0	51	138.0	66.7	60.0	79.5	123.5	3	0.05	5.4
1060	6.50	621	4350	19.5	57	150.5	76.2	63.5	92.0	130.0	3	0.09	7.3
1070	9.46	903	4125	19.5	68	162.0	87.3	76.0	95.0	155.5	3	0.11	10
1080	19.51	1863	3600	27.0	82	194.0	104.8	89.0	116.0	181.0	3	0.17	18
1090	35.47	3387	3600	27.0	95	213.0	123.8	98.5	122.0	200.0	3	0.25	25
1100	59.71	5702	2400	41.5	110	250.0	142.0	120.5	155.5	245.5	4.5	0.43	42
1110	88.67	8468	2250	41.5	120	270.0	160.3	127.0	161.5	258.5	4.5	0.51	54
1120	130.05	12420	2025	60.5	140	308.0	179.4	149.5	191.5	304.5	6	0.73	81
1130	189.17	18066	1800	66.5	170	346.0	217.5	162.0	195.0	330.0	6	0.91	121
1140	271.93	25969	1650	66.5	200	384.0	254.0	183.0	201.0	371.5	6	1.13	178
1150	378.34	36131	1500	108.0	215	453.0	269.2	183.0	271.0	372.0	6	1.95	234
1160	532.04	50810	1350	120.5	240	501.5	304.8	198.0	279.0	402.0	6	2.81	317
1170	709.38	67746	1225	133.5	280	566.5	355.6	216.0	304.0	438.0	6	3.49	448
1180	983.68	93941	1100	152.5	300	630.0	393.7	239.0	321.0	483.5	6	3.76	619
1190	1300.53	124201	1050	152.5	335	675.5	436.9	259.0	325.0	524.5	6	4.40	776
1200	1773.46	169365	900	179.0	360	757.0	497.8	279.5	355.5	565.0	6	5.62	1058
1210	2605.47	248822	820	178.0	390	844.5	533.4	305.0	432.0	622.5	12.7	10.5	1424
1220	3515.89	335768	730	203.0	420	920.5	571.5	325.1	490.0	663.0	12.7	16.1	1785

Lubrication:

For quality lubrication to get good performance and long life, Rathi Special Grease (RSG) is highly recommended. After every three months or every 240 ~ 250 operating hours, required to add grease. Every 6 months or every 4000 operating hours required to replace all deteriorated grease.

Features

- Vertical split cover: Ideal for higher running speeds and general purpose. Horizontal split also available for specific applications.
- Lubrication fittings: One or more lube holes in each half cover makes for easier lubrication. Fill through one and remove other plug for venting.
- Seals: Durable synthetic material prevents loss of lubricant & entrance of water, dust or other foreign materials.
- Hubs: Made of steel for maximum strength.
- Taper Grid: Made of high strength steel, quenched and tempered to spring hardness.

Selection Procedure

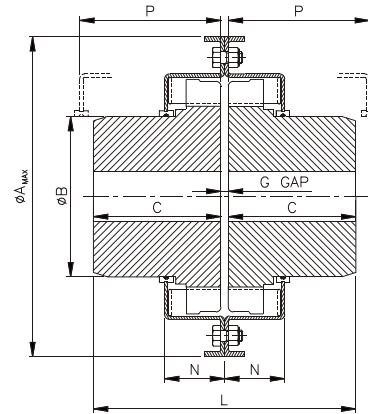
1. Select appropriate service factor F.
2. Calculate coupling Torque T (Knm)

$$T = \frac{9.55 \times kW \times F}{N}$$

Where kW = Drive rated power (kW)
N = Speed (rev./min)

3. Select coupling with the same or higher Torque.
4. Check hub bore capacity.
5. Check allowable speed.

RGTV Coupling



TECHNICAL DATA

Coupling Size	KW at 100 RPM	Basic Torque (Nm)	Max. Speed (rpm)	Bore Dia (mm)		Dimensions (mm)						Gap (mm)	Lube weight (Kg)	Weight In (kg)
				Min.	Max.	ØA	ØB	C	L	N	P			
1020	0.50	48	6000	13.0	30	111.0	39.7	47.5	98.0	24.0	47.5	3	0.03	2.0
1030	1.40	134	6000	13.0	36	121.0	49.2	47.5	98.0	25.0	47.5	3	0.03	2.6
1040	2.30	219	6000	13.0	44	128.5	57.1	51.0	104.5	25.5	51.0	3	0.05	3.4
1050	4.10	391	6000	13.0	51	147.5	66.7	60.5	123.5	31.0	60.5	3	0.05	5.4
1060	6.49	620	6000	19.0	57	162.0	76.2	63.5	130.0	32.0	63.5	3	0.09	7.3
1070	9.39	897	5500	19.0	68	173.0	87.3	76.0	155.5	33.5	76.0	3	0.11	10.4
1080	19.48	1860	4750	27.0	82	200.0	104.8	89.0	181.0	44.0	89.0	3	0.17	17.7
1090	34.96	3339	4000	27.0	95	232.0	123.8	98.5	200.0	47.5	98.5	3	0.25	25.4
1100	59.44	5676	3250	41.5	110	267.0	142.0	120.5	245.5	60.0	120.5	4.5	0.43	42.2
1110	87.90	8395	3000	41.5	120	286.0	160.3	127.0	258.5	64.0	127.0	4.5	0.51	54.4
1120	129.86	12401	2700	60.5	140	319.0	179.4	149.0	304.5	73.5	149.0	6	0.73	81.6
1130	188.79	18030	2400	67.0	170	378.0	217.5	162.0	330.0	75.0	162.0	6	0.91	122.5
1140	271.70	25948	2200	67.0	200	416.0	254.0	183.0	371.5	78.0	183.0	6	1.13	180.1
1150	378.59	36155	2000	108.0	215	476.5	269.2	183.0	372.0	107.0	183.0	6	1.95	230.0
1160	532.04	50810	1750	121.0	240	533.5	304.8	198.0	402.0	114.5	198.0	6	2.81	321.1
1170	709.38	67746	1600	133.5	280	584.0	355.6	216.0	438.0	120.0	216.0	6	3.49	448.2
1180	983.68	93941	1400	152.5	300	630.0	393.7	239.0	483.5	130.0	239.0	6	3.76	591.0
1190	1300.53	124201	1300	152.5	335	685.0	436.9	260.0	524.0	135.0	259.0	6	4.40	761.0
1200	1773.46	169365	1100	178.0	360	737.0	497.8	279.5	565.0	145.0	279.5	6	5.62	1021.0

- All dimensions are in mm unless otherwise specified.

In view of our constant endeavour to improve quality of our products, we reserve the right to alter or change specifications without prior notice. This document is the intellectual property of Rathi Transpower Pvt. Ltd. and subject to copyright.



Rathi Transpower Pvt Ltd
 Rathi Chambers, 7, Deccan College Road,
 Pune 411 006. (INDIA)
 Phone : 91-20-30517201
 Fax : 91-20-30517212
 E-mail : enquiry@rathigroup.com
 Website : www.rathicouplings.com

Distributor